



Pump Model - version

JET 102 M - N.1.- -

Company Name
Contact
Telephone
FAX
E-Mail address

Receiver

From

Serial Number

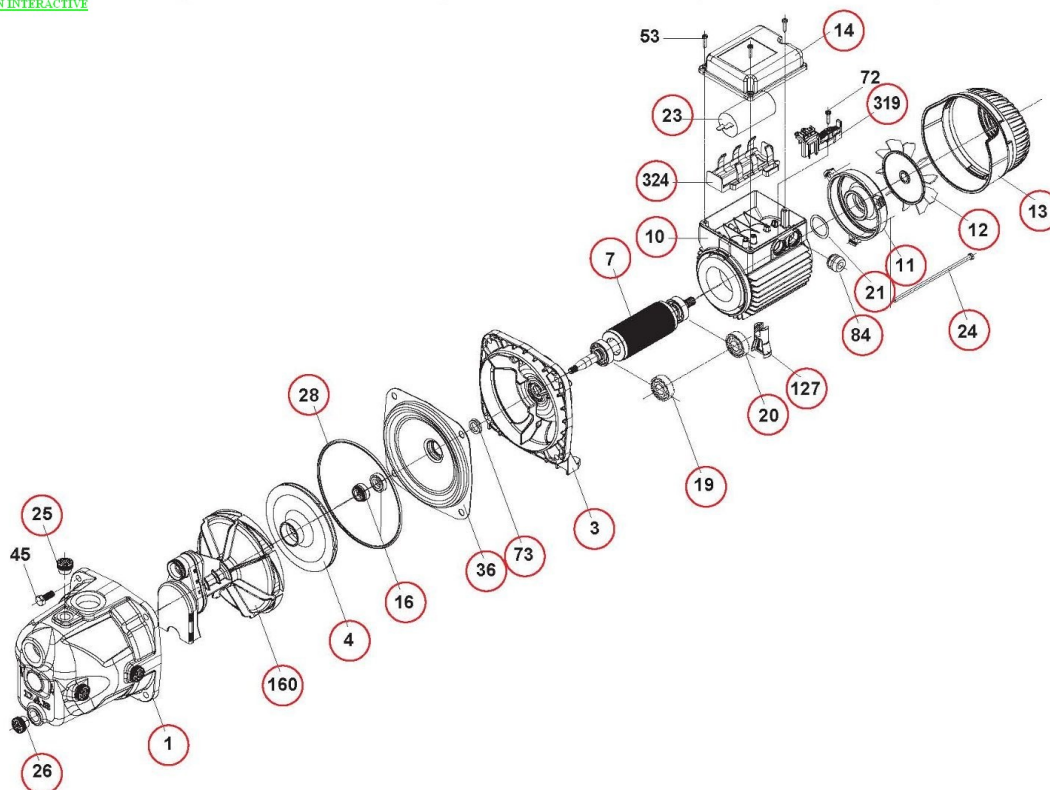
Attention: check the correspondence with the serial number of the pump.

JET 102 M - N.1.- - @ 102660040_c

JET 102 M @ 102660040

Item	Quant	Item no.	Description	Unit pr.
1	1	148120600	SP.P. PUMP BODY	On req.
10	1	130645680	SP.P.MOTOR MEC71 H70 01 220/240/50	On req.
11	1	164030020	MEC 71 MOTOR COVER	On req.
12	1	160760240	FAN MEC71	On req.
127	1	161560190	MOTOR FOOT MEC71	On req.
13	1	164260100	FAN COVER MEC71/01	On req.
14	1	164060410	TERMINAL BOX COVER	On req.
16	1	148620280	COMPLETE MECH.SEAL D.13	On req.
160	1	142860090	SP.P.DIFF/VEN/NOZ/COMP+OR	On req.
19	1	002310103	6302-2RSH D.15X42X13 BEARING	On req.
20	1	002310102	6202-2RSH D.15X35X11 BEARING	On req.
21	1	002570001	LMKAS D.35B THRUST WASHER	On req.
23	1	002710004	16 UF X 450V CAPACITOR MAX D.45X75MM	On req.
24	3	167100660	M5 X 160 MOTOR TIE ROD	On req.
25	1	147120340	PRIMING PLUG 3/8" GAS +O-RING	On req.
26	1	147120340	PRIMING PLUG 3/8" GAS +O-RING	On req.
28	1	002220377	OR-4600 151,99X 3,53 NBR	On req.
3	1	161430090	MOTOR SUPPORT MEC 71	On req.
319	1	146860000	PREMON.MORSET-FERMAC.	On req.
324	1	168560331	CAPACITOR LOCKER MEC63-71	On req.
36	1	161000290	DISC SEAL.A.304	On req.
4	1	150763020	IMPELLER D.130	On req.
7	1	145005880	SP.P.SHAFT W/ROT.	On req.
73	1	002210558	V-RING D.13,5-15X5,5H	On req.
84	1	168560310	OPEN CABLE GLAND	On req.

NON INTERACTIVE



Project	Project ID	Created by	Created on 2011-01-06	Last update
---------	------------	------------	--------------------------	-------------